

100100TDVS-DV SPECIFICATIONS

X-RAY INSPECTION - DUAL VIEW

PHYSICAL DETAILS

Tunnel Size:	100.0 x 100.0 cm 39.4 x 39.4 in. (W x H)
Overall Dimensions:	326.6 x 163.0 x 174.3 cm 128.6 x 64.2 x 68.6 in. (L x W x H)
Weight:	1,315 kg (2,900lbs.) Net weight 1,497 kg (3,300 lbs.) Shipping weight
Construction:	Robust heavy gauge, epoxy-painted, steel frame construction. Stainless steel and aluminum trim and accessories. Non-marking casters.
Temperature:	Operating: 0° to 40° C (32° to 104° F) Storage: -20° C to 60° C (-4° to 140° F)
Humidity:	20%-95%, non-condensing
System Power:	115/230 VAC +/- 10% 60/50 Hz 1.0 kVA max

X-RAY GENERATOR

X-ray Tube Head:	Self-contained, with sealed oil bath cooling
High Voltage Rating:	170 kV, operating at 170 kV
Duty Cycle:	100%
Beam Orientation:	View 1: diagonal view View 2: side view Both above: (80° beam angle)
Dose per Exam:	<0.1mR; <i>May be higher or lower due to differing combinations of kV level & X-ray beam configuration</i>
Radiation Leakage:	<0.5mR/hr (<5.0µSv/hr); <0.1mR/hr (<1.0µSv/hr) available

INSPECTION CAPABILITIES

Material Penetration (steel):	36 mm guaranteed (38 mm typical)
Contrast Sensitivity:	Over 2 million color tones standard
Resolution (wire):	40 AWG guaranteed (42 AWG typical)
Conveyor Speed:	24.0 cm (9.4 in.) per second 14.6 m (48 ft.) per minute
Pulling Weight:	200 kg (440 lbs.)
Film Safety:	Guaranteed for high-speed film up to ISO 1600 (33 DIN)

DETECTORS

High-speed, ultra-sensitive photodiode detector array;
L-shaped for 100% package screening

VIDEO

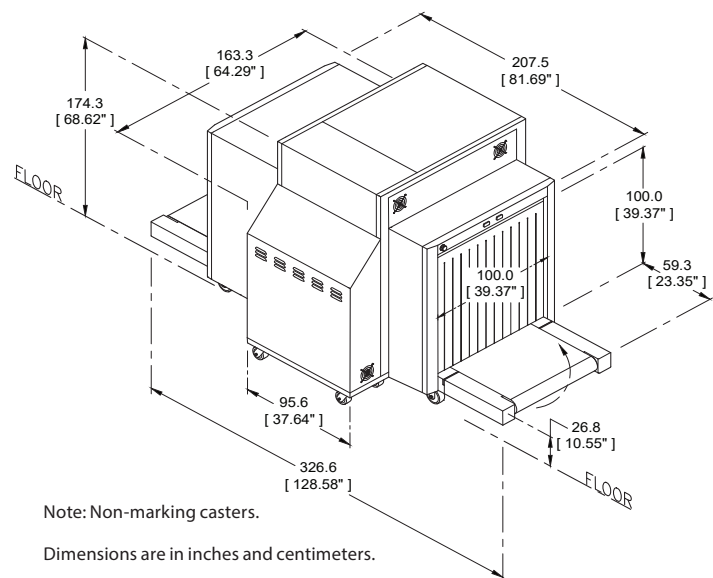
Two 19" Color LCD monitors, 1280 x 1024 video card

STANDARD FEATURES

- autoCal
- autoDensAlert
- autoImage recall (10 images)
- autoOutline
- autoSeasoning
- autoSensing
- autoSoft (LINUX) operating system
- autoTracking guided conveyor belt
- 128x Smart Zoom
- Adjustable zoom preview window
- Color; reverse B/W imaging
- Dark and light enhance
- D-SCAN
- Full-sized operator control panel (OCP) with touchpad navigation
- High/Low Density and Stripping
- Interactive help screens
- Organic / Inorganic
- RealClear
- Real-Time Diagnostics
- Reversible conveyor direction
- Save screen to USB
- Z-SCAN

OPTIONS

- autoArchive
- autoColor+
- autoMatAlert
- autoZ display
- Built-in training
- CE/CSA/US safety/EMC certification
- Console desk
- Conveyor extensions
- Dual conveyor motors
- DVD drive
- Footpad
- Image archiving (500K)
- Image export in BMP & JPG
- Item counter
- kV, mA meter
- Larger monitors (at least: 24", HD flicker-free LCD; 1920x1080 res.)
- Loading or exit rollerbeds
- Locking metal OCP cover
- Locking monitor garage
- Networking:
 - autoNet Live View
 - Remote Diagnostics
 - Remote Image Review
 - Remote Management
- Optical X-ray on/off sensor
- Power conditioner or UPS
- Remote Operation
- Sharp Scroll
- Threat Image Projection (TIP)
- Tropical humidity kit
- User management
- X-ray Image Viewer Software



www.securityprousa.com

Security Pro USA

8543 Venice Blvd.,
Los Angeles, CA 90034,
United States

Tel. 800.264.8273